

STRÖDTER | HEAT PUMP HANDLING

Industrial manipulators and industrial grippers



HANDLING OF

**ALL
MODELS**

MANUFACTURER

**B2B
SYSTEM
SUPPLIER**

HANDLING HEAT PUMPS *Weightlessly!*

For the assembly of the heat pumps in the final mounting and also for the commissioning of the finished units, STRÖDTER offers special lifting techniques from its range of light cranes and manipulators for the manufacturers and distributors of heat pumps.

The manipulators and special grippers are used to the individual heat pump components and sub-assemblies are picked up at the mounting space and precisely assembled to form a heat pump unit.

Depending on the effectiveness, articulated-arm manipulators are used at the single mounting spaces and the station lines are equipped with rail-mounted lifting devices.

The balance control of the manipulators is a great advantage for the assembly workstations.

With this balance control, the assembly worker can lift, move and guide the components to be handled without force and sensitive assembly.

CONTACT *DIRECT:*

Phone: +49 23 85 - 9 21 21- 0

You can reach us daily from Mon. to Thurs. from 07.30 -16.30 and Fr. from 07.30-14.00 h.



HEAT PUMPS HANDLING AND MOVEMENT

Everything for heat pump handling!
Reliable gripping and vacuum technology!



waermepumpen-handling.de



www.stroedter.de

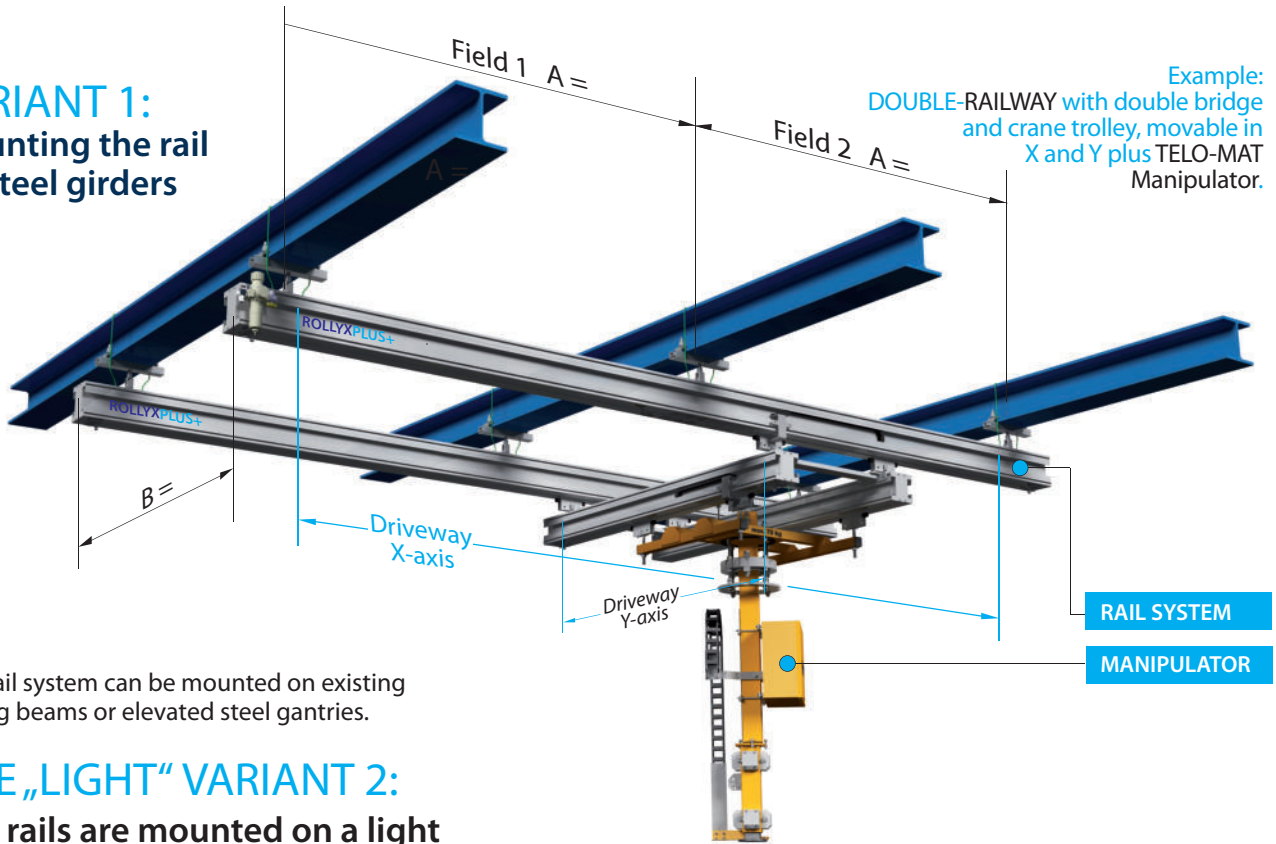


STRÖDTER
Handhabungstechnik GmbH

STRÖDTER | LIGHT CRANE RAIL SYSTEMS

for moving heat pumps

VARIANT 1: Mounting the rail on steel girders



The rail system can be mounted on existing ceiling beams or elevated steel gentries.

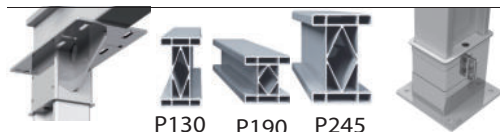
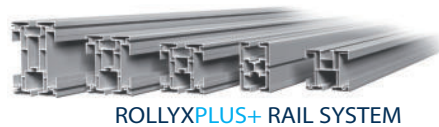
THE „LIGHT“ VARIANT 2: The rails are mounted on a light aluminium gantry.

STRÖDTER can equip complete assembly and commission lines with its systems.

A special feature of the assembly and commission lines are the elevated aluminium light-rail tracks with ROLLYXPLUS+ rails for moving the lifting axis manipulators and electric chain hoists.

The upright gentries for suspending the running rails for large-scale assembly lines consist of lightweight aluminium polygonal support profiles from STRÖDTER and can be set up free-standing without floor anchoring.

The lightweight upright gantry is particularly suitable for installation if only a low floor load is permissible, e.g. in multi-store production facilities.



SUPPORT HEAT

CARRIER FOOT



ALL COMPONENTS FROM ONE STOCK!
PLANNING + GANTRY CONSTRUCTION +
RAIL SYSTEM + MANIPULATORS + GRIPPER + INSTALLATION

TURNKEY!

**WE GET
LOADS FLOATING
ON AIR.**

www.stroedter.de

